



Cloud Solutions

Powered by Eagle Eye Networks

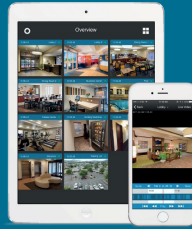
Capture by ADI Cloud Solutions VSaaS

What is the Capture by ADI Cloud Solutions VSaaS?

The Capture by ADI Cloud Solutions VSaaS is a fully managed cloud video surveillance solution, delivering an end-to-end video management system that's simple to deploy and easy to use. It supports all modern browsers and works on Windows, Mac, even Linux with no plugins to install.

FULLY MOBILE

View video anytime, anywhere. The fully functional iOS and Android applications provide complete access to live and recorded video and can also be used to install, configure and manage the system.



GOT CLOUD?

Capture by ADI Cloud provides a cloud based, video management system. The CMVR is installed onsite, connects to your cameras, records video locally, and then securely synchronizes both video and meta data to the Capture by ADI Cloud Solutions Data centre. It's a robust, secure appliance specifically designed to overcome the demands of transmitting high-resolution video through the Internet.

COMPREHENSIVE CAMERA SUPPORT

We believe camera compatibility is important. There's no need to be locked into a single camera vendor. Businesses need the flexibility to work with the cameras that they choose. Bridges and CMVRs support ONVIF Profile S IP cameras. Combo Bridges and CMVRs support IP as well as NTSC and PAL analogue cameras. For an up to date list of all compatible cameras visit www.een.com/cameras.

WORRY FREE MANAGEMENT

All of the software in the Capture by ADI Cloud and firmware on the Bridge is managed and updated by Eagle Eye Networks.

SECURITY SIMPLIFIED

With Eagle Eye Complete Privacy Encryption™, video is fully encrypted during transmission and at rest. The Bridge has no open ports to the Internet, eliminating security vulnerabilities commonly found in other systems and requiring no router or firewall adjustments.

Rack CMVR

320 / 323 / 330 / 420 / 430



The Capture by ADI Cloud Solutions Managed Video Recorder (CMVR) stores video and acts as a gateway from your premises to the Capture by ADI Cloud Solutions Data Centre where your video can also be stored and managed by the Capture by ADI Cloud Solutions VSaaS. It provides video storage, video buffering, a secure connection, bandwidth management, and monitoring of cameras.

These 1U rack-based CMVRs are designed to fit in standard equipment rack. The rack mount CMVRs are offered in a range of sizes to support larger camera counts. Versions are available with analog camera interfaces to allow direct connection of existing NTSC and PAL cameras. The model 323 also provides integrated POE ports for direct connection of IP cameras.

RECORDING FEATURES

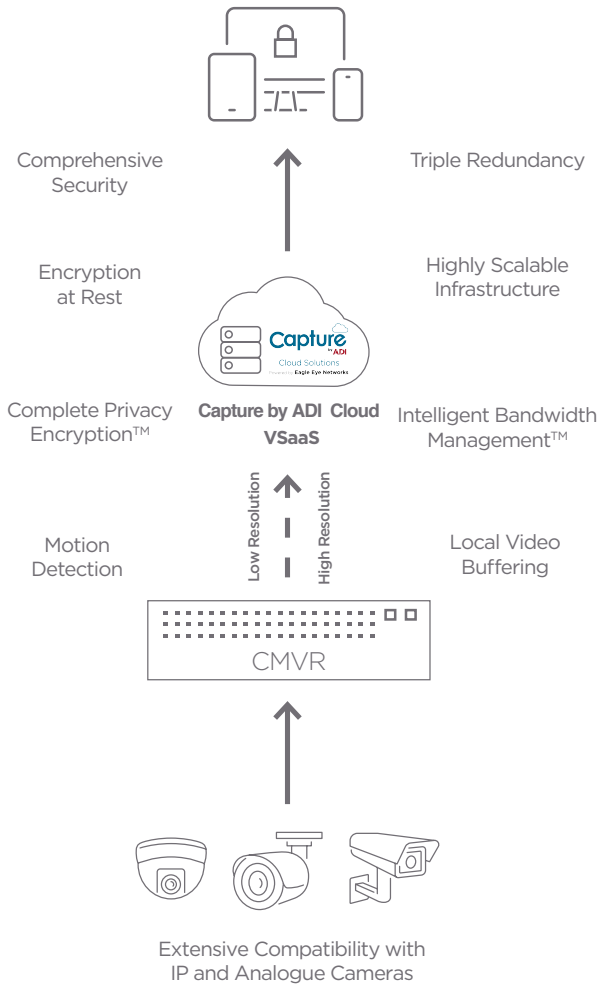
- Video encrypted in transit and at rest
- Fully cloud managed
- Intelligent Bandwidth Management with local buffering
- Motion or continuous recording
- Optional audio recording

WEB INTERFACE & MOBILE FEATURES

- Native iOS and Android apps
- View live and recorded video
- Compatible with all modern browsers
- Motion detection with alerts
- Map and floorplan display

SYSTEM ADMINISTRATION

- 100% browser-based; no software
- Granular user permissions
- Multi-site support
- Point and click video sharing
- Centralised management



NETWORK FEATURES

- Automatic network configuration
- Secure camera network (dual network ports)
- No inbound connections needed
- Packet loss detection/reporting
- Network disconnected alerts

MANAGEMENT FEATURES

- Remote management
- Automatic camera discovery
- Automatic camera configuration
- Advanced motion detection
- Local video buffering
- Configuration synced to Cloud
- Camera trouble alerts
- Internet outage alerts
- Fully cloud managed



STANDARD SUPPORT

- Free of charge with an active subscription
- Warranty – 2 years
- 24/7 email and web support
- 8 a.m. to 6 p.m. phone support



MODEL	CMVR 320	CMVR 323	CMVR 330	CMVR 420	CMVR 430
Max Cameras*	Up to 20 IP Cameras @4MP	Up to 20 IP Cameras @4MP	8 Analog (NTSC/PAL) or up to 20 IP Cameras @4MP	Up to 35 IP Cameras @4MP	16 Analog (NTSC/PAL) or up to 35 IP Cameras @4MP
Max Analytic Count*	5	5	5	10	10
LPR Support*	No	No	No	Up to 2 Cameras	Up to 2 Cameras
Storage Capacity	4 TB 35 days for 20 cameras @ 1MP	4 TB 35 days for 20 cameras @ 1MP	4 TB 35 days for 20 cameras @ 1MP	10 TB 50 days for 35 cameras @ 1MP	10 TB 50 days for 35 cameras @ 1MP
Network Ports	Dual Gigabit	Dual Gigabit	Dual Gigabit	Dual Gigabit	Dual Gigabit
Video Output	VGA (1), DVI (1)	VGA (1), DVI (1)	VGA (1), HDMI (1), DP (1)	VGA (1), HDMI (1), DP (1)	VGA (1), HDMI (1), DP (1)
POE Camera Ports	None	8 port, Class 3	None	None	None
Dimension	427 x 251 x 45 mm 16.81 x 9.88 x 1.75 in 1U	427 x 251 x 45 mm 16.81 x 9.88 x 1.75 in 1U	427 x 251 x 45 mm 16.81 x 9.88 x 1.75 in 1U	427 x 251 x 45 mm 16.81 x 9.88 x 1.75 in 1U	427 x 251 x 45 mm 16.81 x 9.88 x 1.75 in 1U
Weight	3.76 kg 8.3 lbs	3.71 kg 8.17 lbs	4.45 kg 9.8 lbs	4.26 kg 9.4 lbs	4.40 kg 9.7 lbs
Maximum Power Consumption	Internal 100-240 VAC, 65 W	Internal 100-240 VAC, 65 W	Internal 100-240 VAC, 55 W	Internal 100-240 VAC, 50 W	Internal 100-240 VAC, 110 W
Operating Temperature Range	0-35° C 32-95° F	0-35° C 32-95° F	0-35° C 32-95° F	0-35° C 32-95° F	0-35° C 32-95° F
Operating Humidity Range	0-70%	0-70%	0-70%	0-70%	0-70%
Certifications	FCC, UL, PSE, CE, CCC (S&E)	FCC, UL, PSE, CE, CCC (S&E)	FCC, UL, PSE, CE, CCC (S&E)	FCC, UL, PSE, CE, CCC (S&E)	FCC, UL, PSE, CE, CCC (S&E)